



Coilmaster Electronics Co., Ltd.

3F No.211, Huan Bei Rd. Chung Li District, Taoyuan City, Taiwan

Tel : +886-3-422-8279

Fax : +886-3-452-5688

E-mail : info@coilmaster.com.tw

Web Site : www.coilmaster.com.tw

SDH5040 SERIES ~ SMD Power Inductors

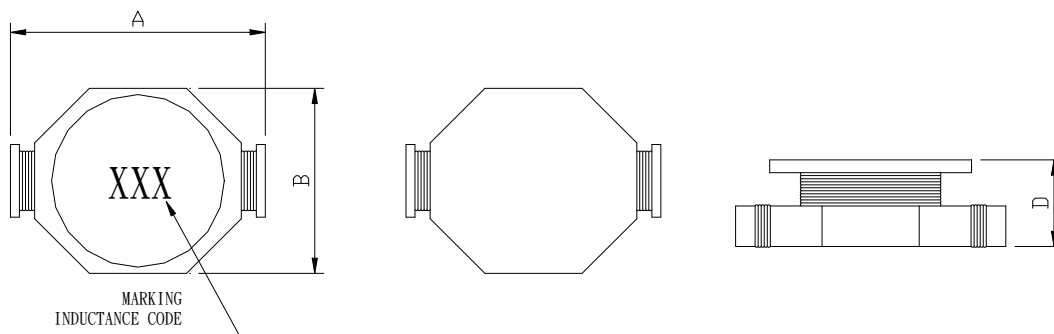


PART NUMBERING SYSTEM

SDH	5040	—	2R8M	—	LF
TYPE	DIMENSIONS		INDUCTANCE		LEAD FREE

SHAPES AND DIMENSIONS

UNIT : mm



A=22.35 Max. B=16.26 Max. D=12.0Max.

Description

- Height : 12.0mm Max.
- Inductance range from 2.8 uH to 12 uH
- Current range from 33.4 A to 15.9 A
- Suitable for large current
- Ideal for DC-DC converter inductor applications

Environmental Data

- Operating temperature range : - 40°C to +125°C (Range in application specific)

SDH5040 SERIES ~ SMD Power Inductors

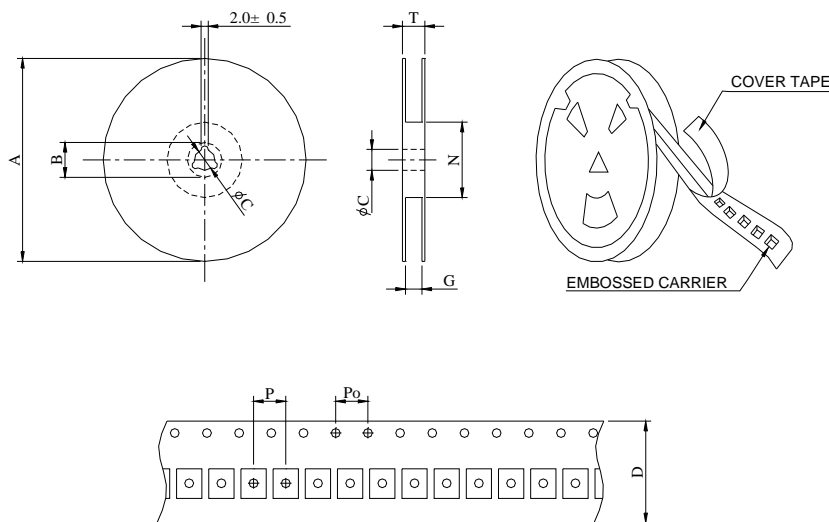


SPECIFICATION TABLE

PART NUMBER	INDUCTANCE (μ H)	DCR(m Ω) (Max.)	Isat (A) (Max.)	Irms (A) (Max.)	SRF(MHz) (Ref.)
SDH5040-2R8M-LF	2.8 \pm 20%	5.2	33.4	12.1	65
SDH5040-3R9M-LF	3.9 \pm 20%	6.0	26.8	11.2	40
SDH5040-6R8M-LF	6.8 \pm 20%	9.0	22.5	9.60	30
SDH5040-100M-LF	10 \pm 20%	11	17.8	8.60	22
SDH5040-120M-LF	12 \pm 20%	13	15.9	7.40	21

- Isat : DC current at which the inductance drops 10% (typ) from its value without current.
- Electrical specifications at 25°C
- Operating temperature range : - 40°C to +125°C

PACKAGING SPECIFICATION



SERIES	STAYLE	Q'TY (PCS)	DIMENSIONS (m/m)								
			A	B \pm 0.8	C \pm 0.5	D	G ⁺⁰	N ⁰	P	Po	T
SDH5040	13-32	175	330	21	13	32	34	100	20	4	38.4